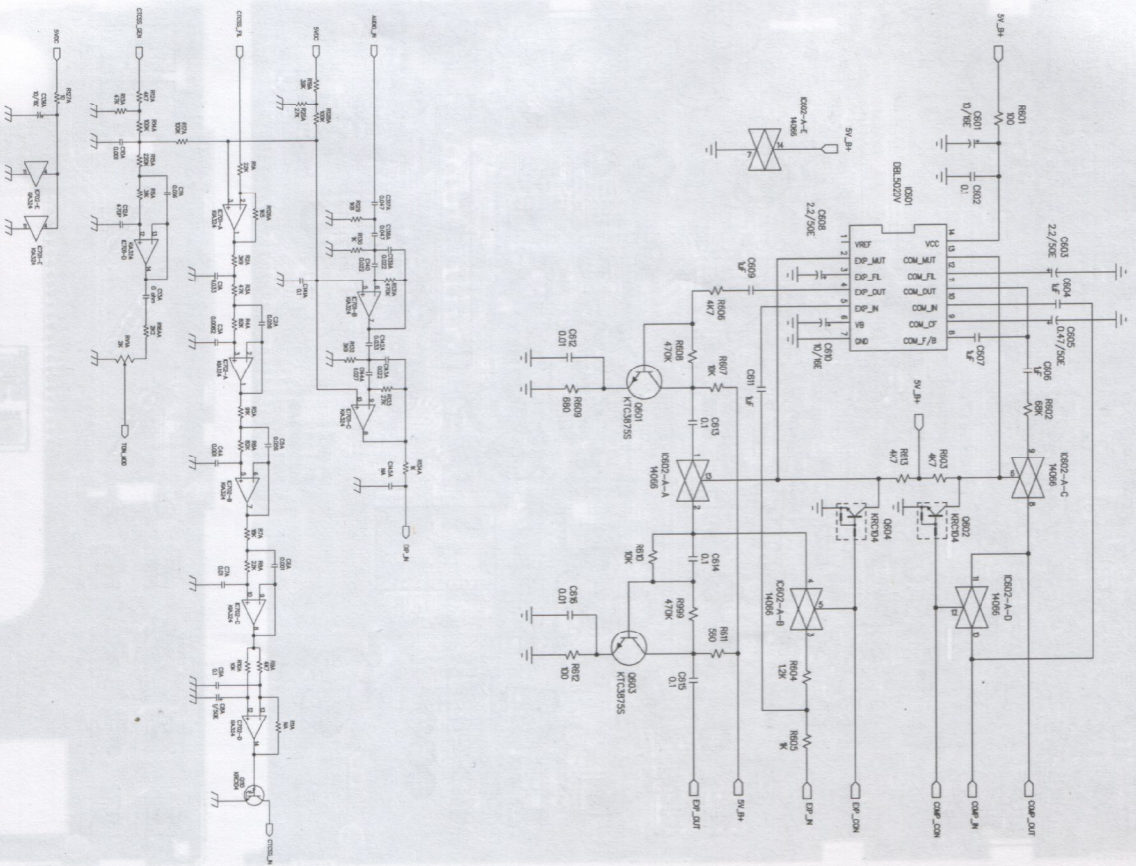


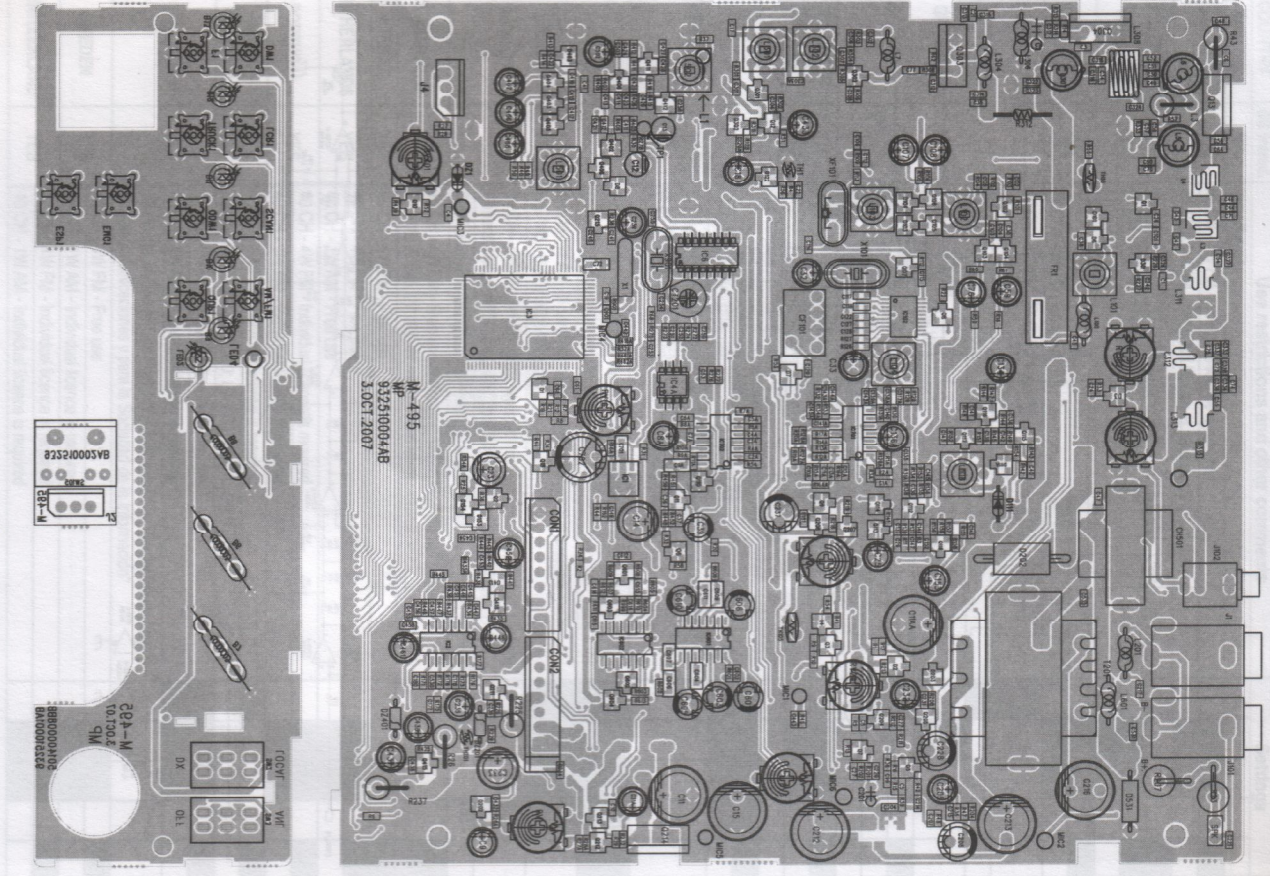
Table of restrictions on the use of CB transceivers

COUNTRY	CB introd.	Use restrictions and other comments	Settings			
AUSTRIA	NO	Not allowed				
BELGIUM	YES	40 CH - 4W FM - Individual license is required		EU	FR	CE
DENMARK	YES	40 CH - 4W FM - Free use 40 CH - 4W FM - Free use				CE
FINLAND	YES	40 CH - 4W FM - Free use e 1W AM - Free use		EU	FR	CE
FRANCE	YES	40 CH - 4W FM - Free use 40 CH - 1W AM - Free use 80 CH - 4W FM - Free use (restrictions for use as a base station on channels 41-80 in some border areas) 12 CH - 1W AM - Free use		EU	FR	CE
GERMANY	YES	40 CH - 1W AM Free use (only CH 4-15 allowed) 40 CH - 4W FM - Free use 12 CH - 1W AM - Free use REGTP Vlg41 issued on September 10, 2003		EU		CE
GREECE	YES	40 CH - 4W FM - Free use T/R 20-02		EU	FR	CE
IRELAND	YES	40 CH - 4W FM - Free use S.I. No 436 of 1998, WIRELESS TELEGRAPHY ACT, 1926 (SECTION 3) (EXEMPTION OF CITIZENS BAND (CB) RADIOS) ORDER, 1998		EU	FR	IO
ITALY	YES	40 CH - 4W FM - A Declaration to the Italian Ministry is required (art. 145 - dl 259 of 01/08/2003) 34 CH - 4W FM - 1W AM (erp) (Nota: AM mode allowed on CH1-CH23 only. General authorisation is required (art. 104 - dl259 of 01/08/2003) P.M.F. issued on DM 08.07.02 Notes: 49 ABC/D/E/G		SP	EU	FR
LUXEMBOURG	YES	40 CH - 4W FM - Free use (Following frequencies are not allowed : 26.995, 27.045, 27.095, 27.145, 27.195 MHz)				IO
NORWAY	YES	40 CH - 4W FM - Free use				CE
NETHERLANDS	YES	40 CH - 4W FM - Free use		EU	FR	CE
PORTUGAL	YES	40 CH - 4W FM - Individual license is required 40 CH - 1W AM - Individual license is required		EU	FR	CE
UNITED KINGDOM	YES	40 CH - 4W FM - Individual license is required UK-RAAMP.T 1392/MP.T 1320/UK-R&T.TE -S.I.L. 2000/730		UK		CE
SPAIN	YES	40 CH - 4W FM - Individual license is required Ministerial decree of 18th November 2002 issued by "Secretaría de Estado de Telecomunicaciones y para la Sociedad de la Información"		SP	EU	FR
SWEDEN	YES	40 CH - 4W FM - Free use 40 CH - 1W AM - Individual license is required 40 CH - 4W FM - Individual license is required		EU	FR	CE
SWITZERLAND	YES	40 CH - 1W AM - Individual license is required		EU	FR	CE

ESP Comander Diagram - CTCSS Diagram

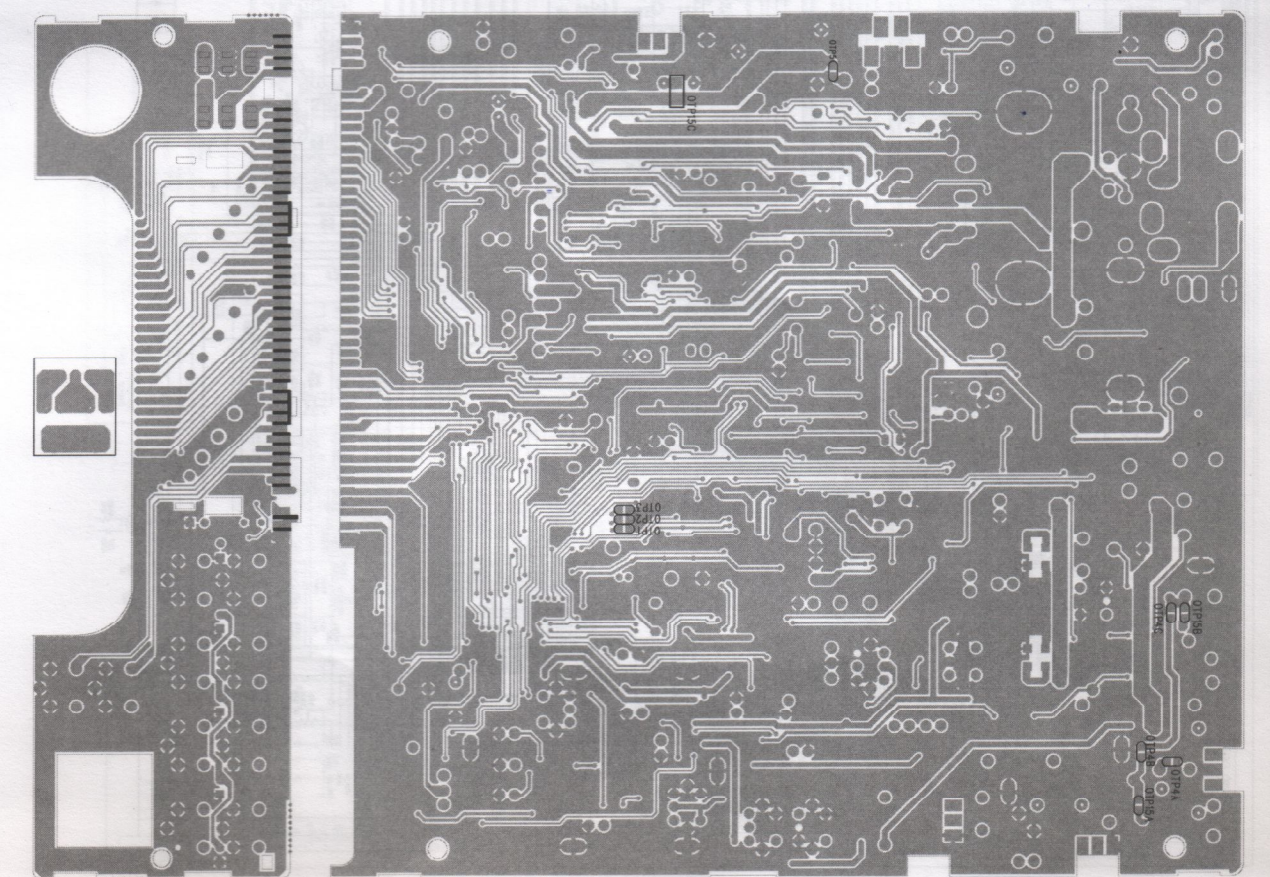


PCB - Main Board & CPU Board



- III -

PCB - Main Board & CPU Board



- IV -

